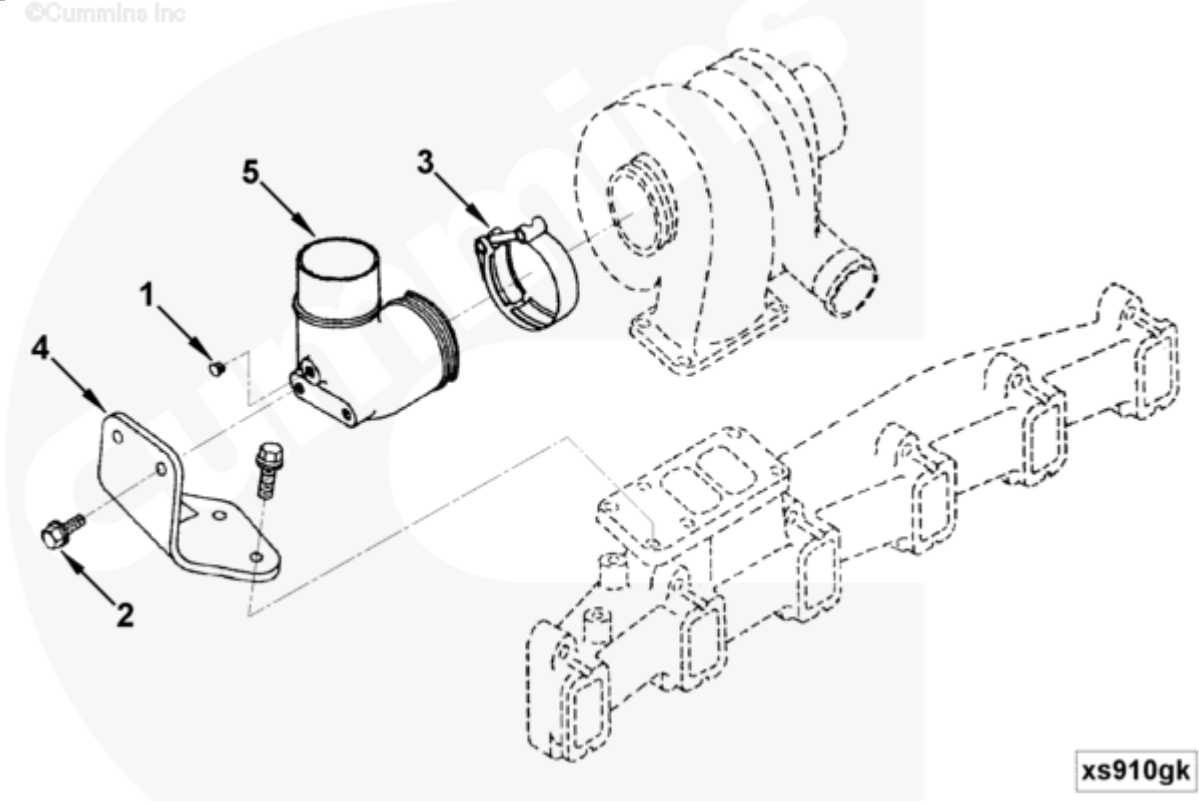




Parts Catalog - Option Detail

Electronic Parts Catalog - Option Detail				
Option	Group	Graphic	Film Card	Date
XS9005	11.01.1	xs910gk	T	25-AUG-93
Engines	4B3.9, 6A3.4, 6B5.9, B GAS INTERNATIONAL CM556, B4.5, B4.5 CM2350 B129B, B4.5 CM2350 B146C, B4.5 CM2350 B147B, B4.5 RGT, B4.5S, B5.9 G, B5.9 GAS PLUS CM556, B5.9 LPG, B5.9 LPG PLUS CM556, B6.7 CM2350 B121B, B6.7 CM2350 B135B, B6.7 CM2350 B136C, B6.7 CM2350 B148B, B6.7 G CMOH6.0 B125, B6.7N CM2380 B150B, B6.7S, F3.8 CM2350 F120B, F3.8 CM2350 F128C, F3.8 CM2350 F132B, F3.8 F102, G3.9, G5.9, G5.9 CM558, ISB (CHRYSLER), ISB CM2150, ISB CM2150 E, ISB CM550, ISB CM850, ISB/ISD4.5 CM2150 B119, ISB/ISD4.5 CM2150 SN, ISB/ISD6.7 CM2150 B120, ISB/ISD6.7 CM2150 SN, ISB/ISD6.7 CM2880 B126, ISB3.9 CM2220 B107, ISB4.5 CM2150, ISB5.9G CM2180, ISB6.7 2010 DCX PICKUP, ISB6.7 2013 DCX CHASSIS CAB, ISB6.7 CM2150 SQ, ISB6.7 CM2250, ISB6.7 CM2350 B101, ISB6.7 CM2350 B103, ISB6.7 CM2350 B142, ISB6.7 CM2670 B153B, ISB6.7 G CM2180 B118, ISBE CM2150, ISBE CM800, ISBE2/ISBE3 CM850, ISBE4 CM850, ISD4.5 CM2150, ISD6.7 CM2880 D101, ISF2.8 CM2220, ISF2.8 CM2220 AN, ISF2.8 CM2220 EC, ISF2.8 CM2220 ECF2, ISF2.8 CM2220 F101, ISF2.8 CM2220 F117, ISF2.8 CM2220 F122, ISF2.8 CM2220 F126, ISF2.8 CM2220 F129, ISF2.8 CM2220 IAN, ISF3.8 CM2220, ISF3.8 CM2220 AN, ISF3.8 CM2220 F103, ISF3.8 CM2220 F110, ISF3.8 CM2220 F116, ISF3.8 CM2220 F134B, ISF3.8 CM2220 IAN, ISF3.8 CM2350 F109, ISF4.5 CM2220 F123, ISG11 CM2880 G106, ISG11 CM2880 G108, ISG12 CM2880 G107, ISG12 CM2880 G109, ISG12 G CMOH6.0 G111, QSB3.9 30 CM550, QSB3.9 CM2880 B138, QSB4.5 30 CM550, QSB4.5 CM2150 B108, QSB4.5 CM2250 B131, QSB4.5 CM2250 EC, QSB4.5 CM2350 B106, QSB4.5 CM2350 B122			
	ISB6.7 CM2350 B106, ISB6.7 CM2350 B107, ISB6.7 CM2350 B108, ISB6.7 CM2350 B109, ISB6.7 CM2350 B110, ISB6.7 CM2350 B111, ISB6.7 CM2350 B112, ISB6.7 CM2350 B113, ISB6.7 CM2350 B114, ISB6.7 CM2350 B115, ISB6.7 CM2350 B116, ISB6.7 CM2350 B117, ISB6.7 CM2350 B118, ISB6.7 CM2350 B119, ISB6.7 CM2350 B120, ISB6.7 CM2350 B121, ISB6.7 CM2350 B122, ISB6.7 CM2350 B123, ISB6.7 CM2350 B124, ISB6.7 CM2350 B125, ISB6.7 CM2350 B126, ISB6.7 CM2350 B127, ISB6.7 CM2350 B128, ISB6.7 CM2350 B129, ISB6.7 CM2350 B130, ISB6.7 CM2350 B131, ISB6.7 CM2350 B132, ISB6.7 CM2350 B133, ISB6.7 CM2350 B134, ISB6.7 CM2350 B135, ISB6.7 CM2350 B136, ISB6.7 CM2350 B137, ISB6.7 CM2350 B138, ISB6.7 CM2350 B139, ISB6.7 CM2350 B140, ISB6.7 CM2350 B141, ISB6.7 CM2350 B142, ISB6.7 CM2350 B143, ISB6.7 CM2350 B144, ISB6.7 CM2350 B145, ISB6.7 CM2350 B146, ISB6.7 CM2350 B147, ISB6.7 CM2350 B148, ISB6.7 CM2350 B149, ISB6.7 CM2350 B150, ISB6.7 CM2350 B151, ISB6.7 CM2350 B152, ISB6.7 CM2350 B153, ISB6.7 CM2350 B154, ISB6.7 CM2350 B155, ISB6.7 CM2350 B156, ISB6.7 CM2350 B157, ISB6.7 CM2350 B158, ISB6.7 CM2350 B159, ISB6.7 CM2350 B160, ISB6.7 CM2350 B161, ISB6.7 CM2350 B162, ISB6.7 CM2350 B163, ISB6.7 CM2350 B164, ISB6.7 CM2350 B165, ISB6.7 CM2350 B166, ISB6.7 CM2350 B167, ISB6.7 CM2350 B168, ISB6.7 CM2350 B169, ISB6.7 CM2350 B170, ISB6.7 CM2350 B171, ISB6.7 CM2350 B172, ISB6.7 CM2350 B173, ISB6.7 CM2350 B174, ISB6.7 CM2350 B175, ISB6.7 CM2350 B176, ISB6.7 CM2350 B177, ISB6.7 CM2350 B178, ISB6.7 CM2350 B179, ISB6.7 CM2350 B180, ISB6.7 CM2350 B181, ISB6.7 CM2350 B182, ISB6.7 CM2350 B183, ISB6.7 CM2350 B184, ISB6.7 CM2350 B185, ISB6.7 CM2350 B186, ISB6.7 CM2350 B187, ISB6.7 CM2350 B188, ISB6.7 CM2350 B189, ISB6.7 CM2350 B190, ISB6.7 CM2350 B191, ISB6.7 CM2350 B192, ISB6.7 CM2350 B193, ISB6.7 CM2350 B194, ISB6.7 CM2350 B195, ISB6.7 CM2350 B196, ISB6.7 CM2350 B197, ISB6.7 CM2350 B198, ISB6.7 CM2350 B199, ISB6.7 CM2350 B200			



SMALL | MEDIUM | LARGE

Cart	Ref No	Part Number	Part Description	Required	Remarks
View My Cart					
		XS9005	Exhaust Outlet Connection		Exhaust Outlet Connection...(More)

					Engine Family: B Series
					Support Flange Bolt Pattern:
					2-M14 44.50mm Apart
					Exhaust Manifold Type: Dry
					Exhaust Pipe Dia (in): 3.00
					Connection Orientation: 90
					deg Vertical
					Mounting Flange to Turbo:
					1/2 Marmon
					Turbocharger Type: Non-
					Wastegate
					Restricted Cylinders: 6
					Max Moment Load (in-lbs): 0
					Turbo Connection: 78.86mm
					Restricted Turbo Loc: HMFO
					Restricted Turbo Model: H1C.
<input type="checkbox"/>	1	S 910 B	Pipe Plug	1	1/4 NPT.
<input type="checkbox"/>	2	3902460	Hexagon Flange Head Cap Screw	4	M10 X 1.50 X 25.
<input type="checkbox"/>	3	3903652	V Band Clamp	1	
<input type="checkbox"/>	4	3903761	Exhaust Outlet Connection Brace	1	
<input type="checkbox"/>	5	3910991	Exhaust Outlet Pipe	1	